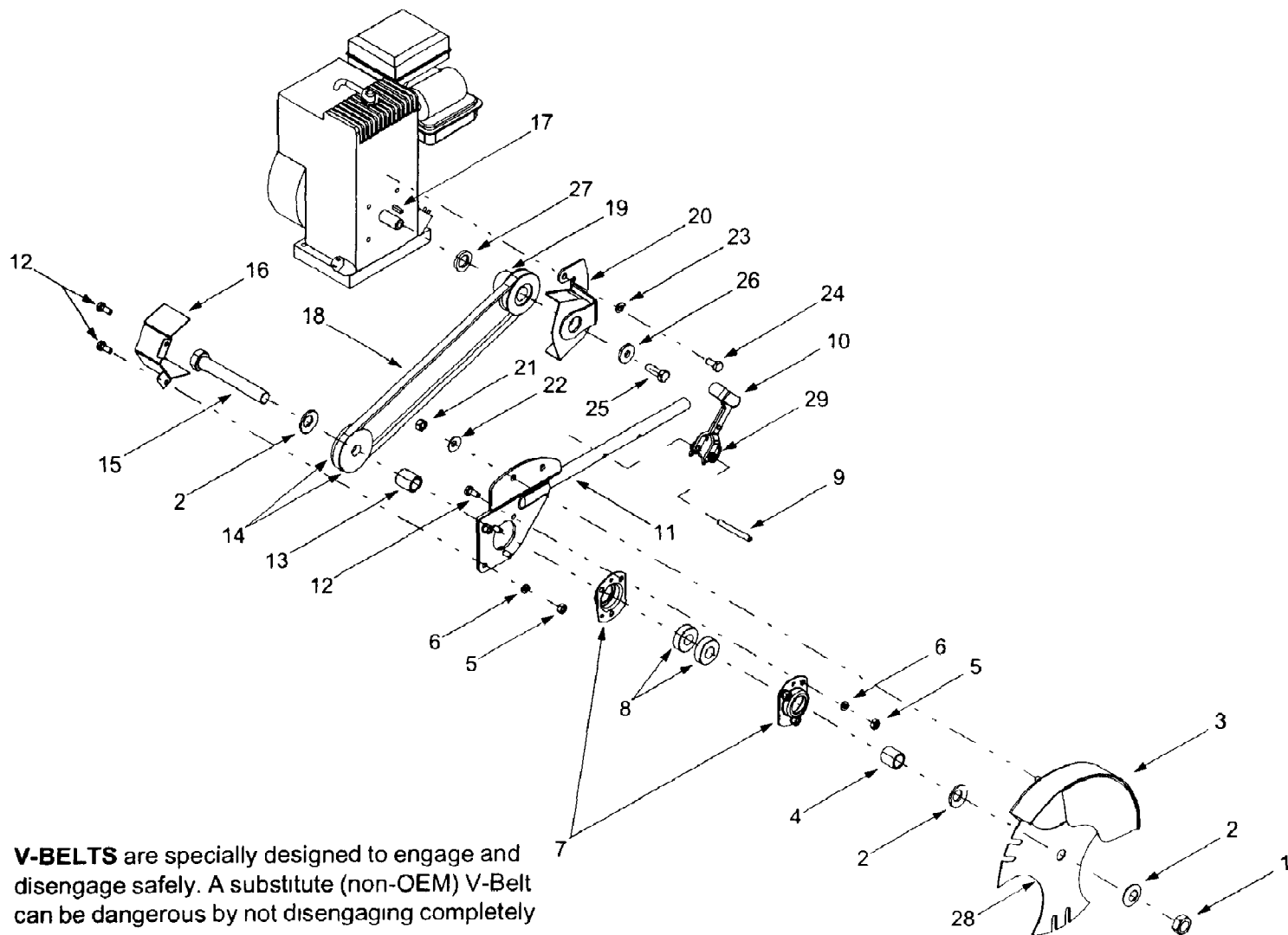


Ref #	Part Number	Qty	S/P/F	Description
1	712-0267	1	S	Hex Nut, 5/16-18
2	736-0119	1	S	Lock Washer, 5/16
3	712-0287	1	S	Hex Nut, 1/4-20
4	736-0329	1	S	Lock Washer, 1/4
5	781-0095	1		Debris Deflector
6	731-0725	1		Debris Guard
7	781-0087	1	S	Flap Bracket, 1.12 x 5.5
8	736-0342	1		Flat Washer, .283 x .75 x .030
9	710-0252	1	/P	Hex Screw w/ Nose, 1/4-20 x .85
10	710-0751	1	/P	Hex Screw, 1/4-20 x .62
11	710-0402	1		Hex Screw, 5/16-18 x 4.5
12	714-0115	1	S	Cotter Pin, 1/8 x 1.0
13	712-0114	1	S	Slotted Hex Nut, 1/2-20
14	736-0112	1	/P	Sphere Washer, .531 x 1.6 x .045
15	711-0386	1		Spacer, .38 x .50 x 3.75
16	781-0090	1	S	Spindle Pivot Bracket Assembly
17	715-0143	1	S	Spirol Pin, 1/4 x 1.25
18	732-0187	1		Compression Spring
19	711-0379	1		Shoulder Spacer, .635 x .620
20	710-0607	1	/P	Self-tapping Screw, 5/16-18 x .50
21	736-0504	1	S	Wave Washer, .510 x .75 x .017
22	738-0108	1	S	Shoulder Screw, .498 x 1.45
23	734-1268	1	/P	Wheel w/ Ball Bearing, 8 x 1.75
24	736-0105	1	/P	Spring Washer, .401 x .871 x .063
25	712-0241	1	/P	Hex Nut, 3/8-24
26	736-0452	1	S	Bell Washer, .396 x 1.14 x .095
27	710-0793	1		Round Head Ribbed-neck Bolt, 3/8-24 x .89
28	781-0580	1		Front Axle Arm
29	726-0221	1	/P	Cap Speed Nut, 1/2
30	734-1264	1	/P	Wheel w/ Ball Bearing, 7 x 1.75
31	714-0101	1	S	Internal Cotter Pin, .08 x 1.42
32	738-0898	1	S	Front Axle, .50 x 7.98
33	710-0654A	1	/P	Self-tapping Screw, 3/8-16 x 1.0
34	714-0104	1	S	Internal Cotter Pin, .072 x 1.0
35	736-0264	1	S	Flat Washer, .330 x .630 x .0635
36	736-3050	1	/P	Flat Washer, .406 x .810 x .051
37	711-0392	1		Adjustment Ferrule
38	712-0266	1	S	Center Lock Nut, 3/8-24
39	732-0552	1	S	Curb Adjustment Lever Assembly
40	749-0941	1	S	Support Strut, 15.91
41	781-0075	1	S	Spindle Extension Arm
42	738-0258	1	S	Shoulder Screw, .498 x .250
43	736-0255	1	S	Bell Washer, .51 x 1.14 x .040
44	736-0272	1	S	Flat Washer, .51 x 1.0 x .060
45	750-0535	1	S	Spacer, .376 x .625 x .22
46	736-0169	1	S	Lock Washer, 3/8
47	712-0798	1	/P	Hex Nut, 3/8-16
48	781-0100	1	/P	Curb Height Adjustment Plate
49	720-0241	1	S	Wing Knob Assembly
50	736-0451	1	S	Saddle Washer, .320 x .93
51	710-1174	1	/P	Curved Head Carriage Bolt, 5/16-18 x .75
52	749-0666	1	S	Blade Clutch/Depth Control Lever
53	736-0271	1	S	Flat Washer, .317 x .625 x .099

25A-592A190 592 Edger (2001)  
Frame Assembly

Page 3 of 5

Ref #	Part Number	Qty	S/P/F	Description
54	710-3103	1	/P	Hex Cap Screw, 5/16-18 x 2.0
55	749-0937	1	S	Lower Handle
56	749-0936A	1	/P	Upper Handle (Loop Style)
57	781-0081	1		Depth Adjustment Bracket
58	732-0369	1	S	Compression Spring, .55 x 1.37
59	736-0204	1	/P	Flat Washer, .344 x .62 x .030
60	712-0158	1	S	Hex Lock Nut, 5/16-18
61	720-0283	1		Foam Grip (Blade Clutch Lever)
62	747-1164	1		Clutch Rod, 3/8 x 33.5
63	681-0044	1		Edger Base
64	720-0297	1		Foam Grip (Upper Handle), 20



**V-BELTS** are specially designed to engage and disengage safely. A substitute (non-OEM) V-Belt can be dangerous by not disengaging completely

25A-592A190 592 Edger (2001)  
Spindle Assembly

Page 5 of 5

Ref #	Part Number	Qty	S/P/F	Description
1	712-0413	1	S	Hex Jam Nut, 5/8-18
2	736-0317	1	/P	Bell Washer, 64 x 1.25 x .18
3	781-0076	1		Blade Guard
4	750-0118	1	S	Sleeve, .632 x .875 x .90
5	712-0287	1	S	Hex Nut, 1/4-20
6	736-0329	1	S	Lock Washer, 1/4
7	05034A	1	/P	Bearing Housing
8	741-0155	1	S	Ball Bearing, .62 x 1.38 x .44
9	715-0121	1	/P	Spirol Pin, 1/4 x 2.0
10	781-0093	1	S	Adjustment Lever Assembly
11	781-0078	1	/P	Spindle Plate/Shaft Assembly
12	710-0751	1	/P	Hex Cap Screw, 1/4-20 x .62
13	750-0229	1	S	Spacer, .635 x .88 x 1.03
14	756-0449	1	S	Sheave, .6255 x .6295
15	710-0929	1	S	Hex Cap Screw, 5/8-18 x 4.5
16	781-0086	1	S	Spindle Belt Guard
17	714-0122	1	S	Square Key, 3/16 x .75
18	754-0142	1	S	V-belt, 3/8
19	756-03278	1		Engine Pulley, 3/8 x .75 x 2.38
20	687-0100	1		Engine Pulley Belt Guard
21	712-0267	1	S	Hex Nut, 5/16-18
22	736-0242	1	/P	Belleville Washer, .340 x .872
23	736-0119	1	S	Lock Washer, 5/16
24	710-0237	1	/P	Hex Cap Screw, 5/16-24 x .625
25	710-0152	1	S	Hex Cap Screw, 3/8-24 x 1.0
26	736-0258	1	/P	Flat Washer, .385 x 1.0 x .135
27	748-0160	1	S	Spacer, .753 x 1.25 x .175
28	781-0748	1	S	Triplex Edger Blade, 9.0
29	732-0188A	1	/P	Double-torsion Spring